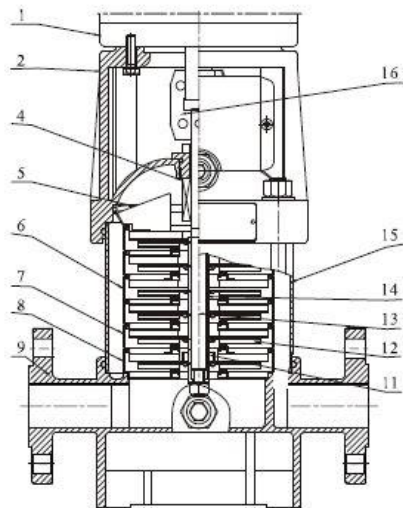
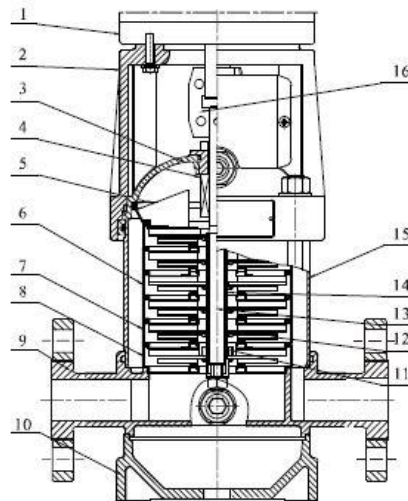


Material Description



CDL



CDLF

Material CDL/CDLF1,2,3,4

NO.	Name	Material	AISI/ASTM
1	Motor		
2	Pump head	Cast iron	ASTM25B
4	Mechanical seal		
5	Top diffuser	Stainless steel	AISI304
6	Diffuser	Stainless steel	AISI304
7	Support diffuser	Stainless steel	AISI304
8	Inducer	Stainless steel	AISI304
11	Bearing	Tungsten carbide	
12	Impeller	Stainless steel	AISI304
13	Shaft	Stainless steel	AISI304 AISI316L

NO.	Name	Material	AISI/ASTM
14	Impeller sleeve	Stainless steel	AISI304
15	Cylinder	Stainless steel	AISI304
16	Coupling	Carbon steel	
CDLF			
3	Seal base	Stainless steel	AISI304
9	Inlet and outlet chamber	Stainless steel	AISI304
10	Base plate	Cast iron	ASTM25B
CDL			
9	Inlet and outlet chamber	Cast iron	ASTM25B

Models

50Hz/60Hz n=2900 1/min/3600 1/min

Stainless Steel Multistage Jockey Pump CDL(F)2/4

Model No.	Power (kw)	Flow	Head	Model No.	Power (kw)	Flow	Head
		m ³ /h	m			m ³ /h	m
CDL(F) 2-2	0.37	2	15	CDL(F) 4-2	0.37	4	15
CDL(F) 2-3	0.37	2	22	CDL(F) 4-3	0.55	4	24
CDL(F) 2-4	0.55	2	30	CDL(F) 4-4	0.75	4	32
CDL(F) 2-5	0.55	2	37	CDL(F) 4-5	1.1	4	40
CDL(F) 2-6	0.75	2	45	CDL(F) 4-6	1.1	4	48
CDL(F) 2-7	0.75	2	52	CDL(F) 4-7	1.5	4	56
CDL(F) 2-9	1.1	2	67	CDL(F) 4-8	1.5	4	64
CDL(F) 2-11	1.1	2	82	CDL(F) 4-10	2.2	4	81
CDL(F) 2-13	1.5	2	98	CDL(F) 4-12	2.2	4	95
CDL(F) 2-15	1.5	2	112	CDL(F) 4-14	3	4	112
CDL(F) 2-18	2.2	2	136	CDL(F) 4-16	3	4	129
CDL(F) 2-22	2.2	2	165	CDL(F) 4-19	4	4	153
CDL(F) 2-26	3	2	198	CDL(F) 4-22	4	4	178

Stainless Steel Multistage Jockey Pump CDL(F)8/12

Model No.	Power (kw)	Flow	Head	Model No.	Power (kw)	Flow	Head
		m ³ /h	m			m ³ /h	m
CDL(F) 8-2	0.75	8	9	CDL(F) 12-2	1.5	12	20
CDL(F) 8-3	1.1	8	18	CDL(F) 12-3	2.2	12	30
CDL(F) 8-4	1.5	8	27	CDL(F) 12-4	3	12	40
CDL(F) 8-5	2.2	8	36	CDL(F) 12-5	3	12	50
CDL(F) 8-6	2.2	8	45	CDL(F) 12-6	4	12	60
CDL(F) 8-7	3	8	54	CDL(F) 12-7	5.5	12	70
CDL(F) 8-8	3	8	73	CDL(F) 12-8	5.5	12	80
CDL(F) 8-10	4	8	92	CDL(F) 12-9	5.5	12	91
CDL(F) 8-12	4	8	111	CDL(F) 12-10	7.5	12	101
CDL(F) 8-14	5.5	8	130	CDL(F) 12-12	7.5	12	121
CDL(F) 8-16	5.5	8	148	CDL(F) 12-14	11	12	141
CDL(F) 8-18	7.5	8	167	CDL(F) 12-16	11	12	162
CDL(F) 8-20	7.5	8	186	CDL(F) 12-18	11	12	183

Stainless Steel Multistage Jockey Pump CDL(F) 16/20

Model No.	Power (kw)	Flow	Head	Model No.	Power (kw)	Flow	Head
		m ³ /h	m			m ³ /h	m
CDL(F) 16-2	2.2	16	22	CDL(F) 20-2	2.2	20	23
CDL(F) 16-3	3	16	34	CDL(F) 20-3	4	20	35
CDL(F) 16-4	4	16	46	CDL(F) 20-4	5.5	20	47
CDL(F) 16-5	5.5	16	58	CDL(F) 20-5	5.5	20	58
CDL(F) 16-6	5.5	16	70	CDL(F) 20-6	7.5	20	70
CDL(F) 16-7	7.5	16	82	CDL(F) 20-7	7.5	20	82
CDL(F) 16-8	7.5	16	94	CDL(F) 20-8	11	20	94
CDL(F) 16-10	11	16	118	CDL(F) 20-10	11	20	118
CDL(F) 16-12	11	16	141	CDL(F) 20-12	15	20	142
CDL(F) 16-14	15	16	166	CDL(F) 20-14	15	20	166
CDL(F) 16-16	15	16	189	CDL(F) 20-16	18.5	20	189
CDL(F) 20-1	1.1	20	10	CDL(F) 20-17	18.5	20	202
Model No.	Power (kw)	Flow	Head	Model No.	Power (kw)	Flow	Head
		m ³ /h	m			m ³ /h	m
CDL(F) 32-10-1	1.5	32	9	CDL(F) 32-150	30	32	210
CDL(F) 32-10	2.2	32	13	CDL(F) 32-160-2	30	32	218
CDL(F) 32-20-2	3	32	20	CDL(F) 32-160	30	32	225
CDL(F) 32-20	4	32	27	CDL(F) 45-10-1	3	45	15
CDL(F) 32-30-2	5.5	32	33	CDL(F) 45-10	4	45	19
CDL(F) 32-30	5.5	32	40	CDL(F) 45-20-2	5.5	45	30
CDL(F) 32-40-2	7.5	32	46	CDL(F) 45-20	7.5	45	39
CDL(F) 32-40	7.5	32	53	CDL(F) 45-30-2	11	45	50
CDL(F) 32-50-2	11	32	60	CDL(F) 45-30	11	45	58
CDL(F) 32-50	11	32	67	CDL(F) 45-40-2	15	45	69
CDL(F) 32-60-2	11	32	74	CDL(F) 45-40	15	45	78
CDL(F) 32-60	11	32	81	CDL(F) 45-50-2	18.5	45	88
CDL(F) 32-70-2	15	32	88	CDL(F) 45-50	18.5	45	97
CDL(F) 32-70	15	32	95	CDL(F) 45-60-2	22	45	108
CDL(F) 32-80-2	15	32	102	CDL(F) 45-60	22	45	116
CDL(F) 32-80	15	32	109	CDL(F) 45-70-2	30	45	127

CDL (F) 32-90-2	18.5	32	117	CDL (F) 45-70	30	45	135
CDL (F) 32-90	18.5	32	124	CDL (F) 45-80-2	30	45	146
CDL (F) 32-100-2	18.5	32	131	CDL (F) 45-80	30	45	154
CDL (F) 32-100	18.5	32	138	CDL (F) 45-90-2	30	45	166
CDL (F) 32-110-2	22	32	146	CDL (F) 45-90	37	45	174
CDL (F) 32-110	22	32	153	CDL (F) 45-100-2	37	45	185
CDL (F) 32-120-2	22	32	160	CDL (F) 45-100	37	45	193
CDL (F) 32-120	22	32	167	CDL (F) 45-110-2	45	45	206
CDL (F) 32-130-2	30	32	174	CDL (F) 45-110	45	45	214
CDL (F) 32-130	30	32	181	CDL (F) 45-120-2	45	45	226
CDL (F) 32-140-2	30	32	189	CDL (F) 45-120	45	45	236
CDL (F) 32-140	30	32	196	CDL (F) 45-130-2	45	45	247
CDL (F) 32-150-2	30	32	203				
Model No.	Power (kw)	Flow	Head	Model No.	Power (kw)	Flow	Head
		m ³ /h	m			m ³ /h	m
CDL (F) 64-10-1	4	64	13	CDL (F) 64-70-2	37	64	132
CDL (F) 64-10	5.5	64	20	CDL (F) 64-70-1	37	64	139
CDL (F) 64-20-2	7.5	64	26	CDL (F) 64-70	45	64	146
CDL (F) 64-20-1	11	64	33	CDL (F) 64-80-2	45	64	154
CDL (F) 64-20-2	11	64	40	CDL (F) 64-80-1	45	64	161
CDL (F) 64-30-2	15	64	46	CDL (F) 90-10-1	5.5	90	13
CDL (F) 64-30-1	15	64	53	CDL (F) 90-10	7.5	90	19
CDL (F) 64-30	18.5	64	60	CDL (F) 90-20-2	11	90	28
CDL (F) 64-40-2	18.5	64	66	CDL (F) 90-20	15	90	40
CDL (F) 64-40-1	22	64	73	CDL (F) 90-30-2	18.5	90	49
CDL (F) 64-40	22	64	80	CDL (F) 90-30	22	90	62
CDL (F) 64-50-2	30	64	88	CDL (F) 90-40-2	30	90	72
CDL (F) 64-50-1	30	64	95	CDL (F) 90-40	30	90	84
CDL (F) 64-50	30	64	102	CDL (F) 90-50-2	37	90	93
CDL (F) 64-60-2	30	64	110	CDL (F) 90-50	37	90	106
CDL (F) 64-60-1	37	64	117	CDL (F) 90-60-2	45	90	117
CDL (F) 64-60	37	64	124	CDL (F) 90-60	45	90	130